

LESSON
9.4

NAME _____

Key

DATE _____

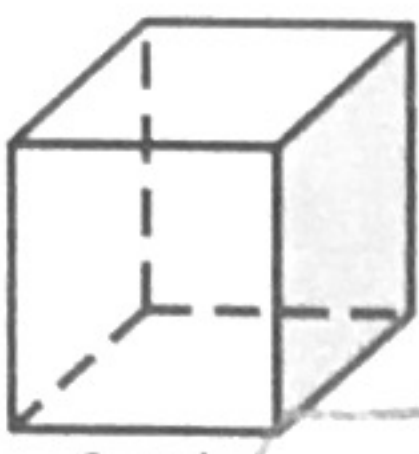
Practice A

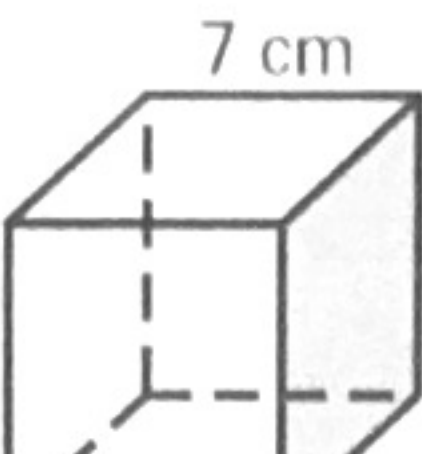
For use with pages 500–507

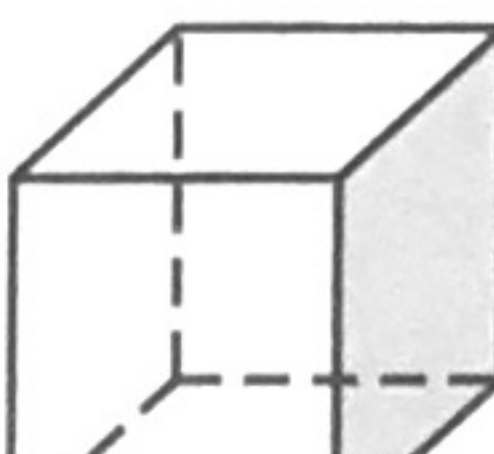
Complete the statement.

- The formula $V = \pi r^2 h$ is the formula for the volume of a ? *Cylinder*
- The formula $V = \frac{Bh}{?}$ is the formula for the volume of a prism. *Area of Base • Height*

Find the volume of the cube.

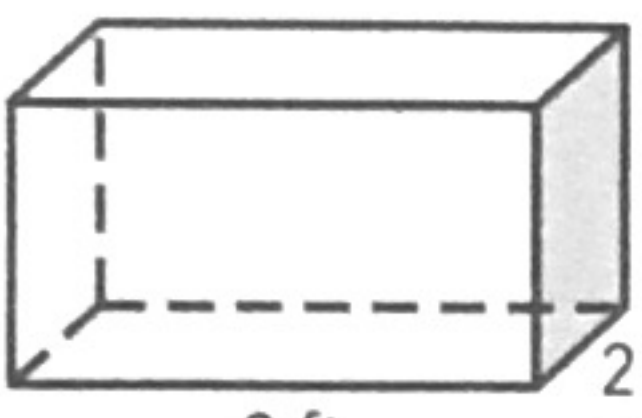
3.  *B = area of Base*
B = 8² = 64
Area = 512

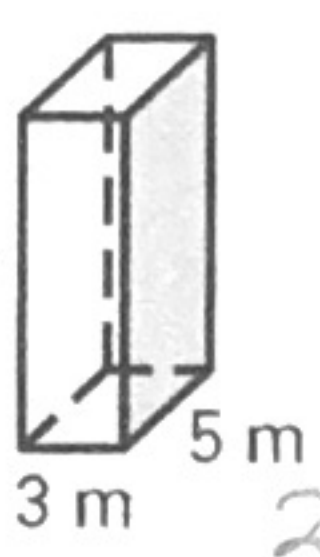
4.  *Base*
7 • 7 = 49
A = 7 • 7 • 7 =
343 cm³

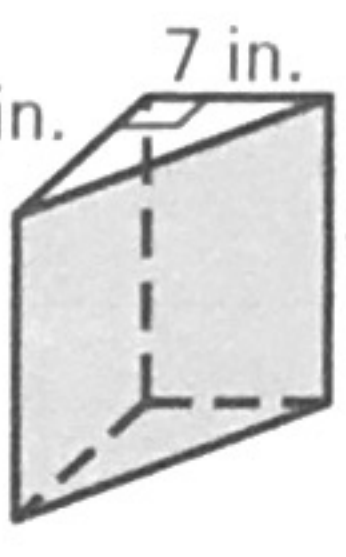
5.  *Area*
11³ =
1331 in³

B • h

Find the volume of the prism.


6.  *B • h*
6 • 2 • 3 = 36 ft³

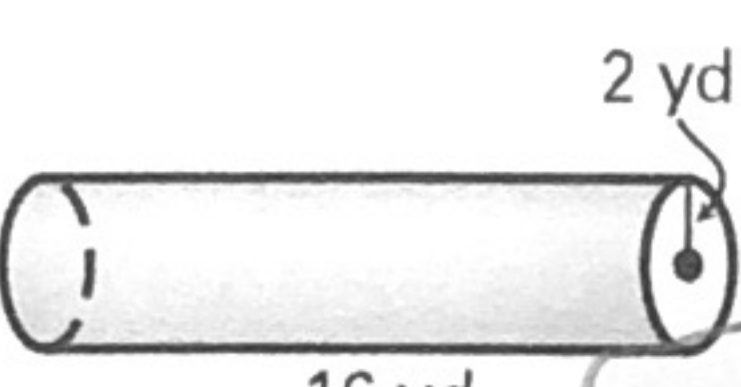
7.  *135 m³*
3 • 5 • 9 =

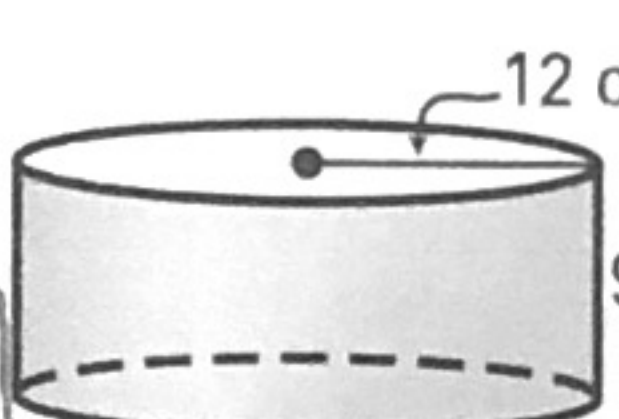
8.  *1/2 • 10 • 7 → Triangle*
35 • 11 = 385

B • h

Find the volume of the cylinder. Round your answer to the nearest whole number.

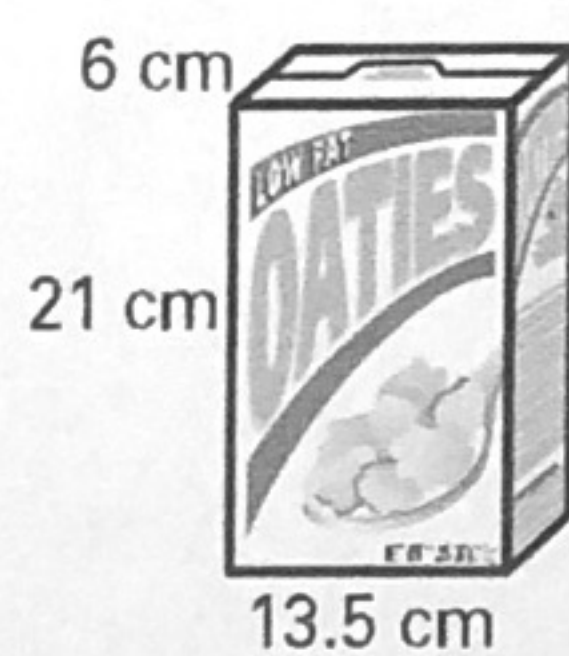
9.  *π • r² • h*
3014.4 in³

10.  *200.96 yd³*

11.  *4096.44 cm³*

π • r² • h

12. A box of cereal is shown below. Find the volume of the box.



13.5 • 6 • 21 =
1701 cm³